

LogiLink®



USB Table Charger 6 Port, 32W

Art. No.: PA0139

PA0139 provides multiple charging solution for households and office. It will solve the need to charge multiple electronics simultaneously, bringing the convenience to your life.

Features:

- » Input: 100-240V AC
- » Output: 5V6.4A (32W) max
- » Supports: OCP, OVP, OTP short circuit protection
- » Built in intelligent IC, compatible with iPhone/iPad/mobile devices/Tablet PC/power banks and other 5V devices
- » LED indication
- » Able to charge 6 devices at the same time
- » Suitable for family gatherings, office meetings and school's classrooms



Specification:

Input	100-240VAC 50/60Hz
Output	5V2.4A x6 (6.4A max)
Ripple & Noise	≤150mV
USB Port	6 ports
AC Leakage Current	Up to 0.3mA
Turn On Delay Time	3s max
Operating Temperature Range	0~40°C
Storage Temperature Range	-20°C ~ 80°C
Operating Relative Humidity	5% ~ 90% RH
Color	Black
Dimension	107.42 x 61.42 x 32mm
Weight	235g



RoHS
compliant



* The specifications and pictures are subject to change without notice.
*All trade names referenced are the registered namework of their respective owners.



PA0139



4 052792 041637

Made in China

Best Connectivity

LogiLink®

USB Table Charger 6 Port, 32W

Art. No.: PA0139

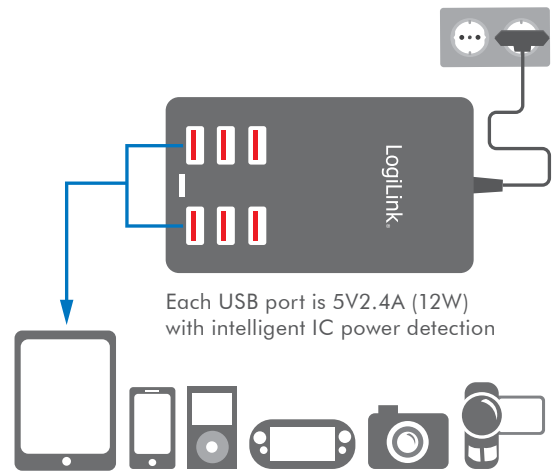


Package Contents:

- » 1 x USB Table Charger
- » 1 x Power Cable
- » 1 x User Manual

Package Informations:

- » Packing Dimension: 135 x 115 x 35mm
- » Packing Weight: kg
- » Carton Dimension: 567 x 370 x 240mm
- » Carton Q'ty: 80pcs
- » Carton Weight: kg



Best Connectivity



RoHS
compliant



* The specifications and pictures are subject to change without notice.
* All trade names referenced are the registered trademark of their respective owners.



PA0139



Made in China